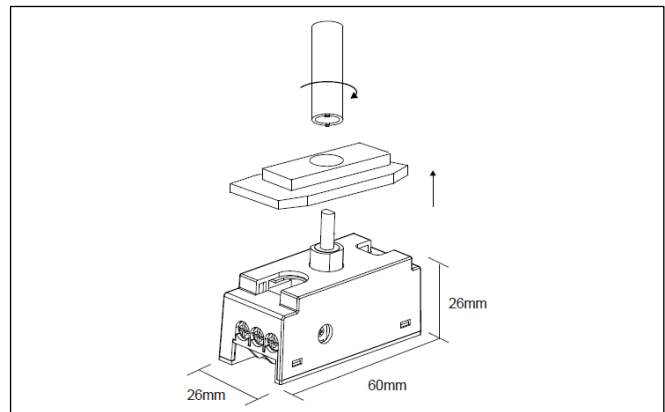


RUNI UNI-GRID, LEADING EDGE DIMMER



- Complete with a full range of manufacturer compatible plates
- Leading edge electronic dimmer
- Suitable for use with LED, Halogen or CFL loads
- Positive push on/off operation
- Suitable for 2 way switching (not 2-way dimming) when installed with an on/off switch
- Fits standard depth grid backbox
- Wide ambient temperature operating range

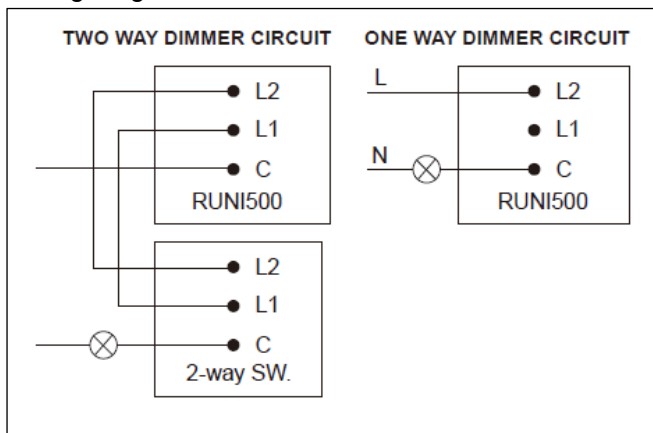
Product Code:	<b>RUNI500</b>
Maximum Load Power Incandescent/CFL/LED (W):	500/66/50
Minimum Load Power Incandescent/CFL/LED (W):	40/10/5
Warranty (yrs):	3
Ingress Protection (IP):	20
Operating Temperature (°C):	-20 ≤ Ta ≤ +40
Operating Voltage (Vac):	220-240
Length (mm):	60
Width (mm):	26
Depth to front of switch (mm):	47
Box Qty:	1
Weight (kg):	0.06



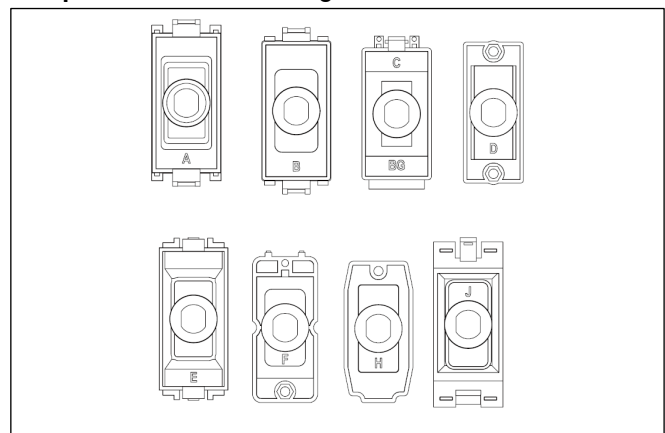
**Compatible Plates Included:**

PLATE A	DETA
PLATE B	Schneider Electric (GET)
PLATE C	BG
PLATE D	Wandsworth
PLATE E	MK Logic
PLATE F	Hamilton
PLATE H	Crabtree
PLATE J	Hager

**Wiring Diagram:**



**Compatible Grid Plate Diagram:**



**Standards & Approvals:**

Complies with: EN 55015, EN 61000-3-2, EN 61000-3-3, EN 61547, EN 60669-1, EN 60669-2-1